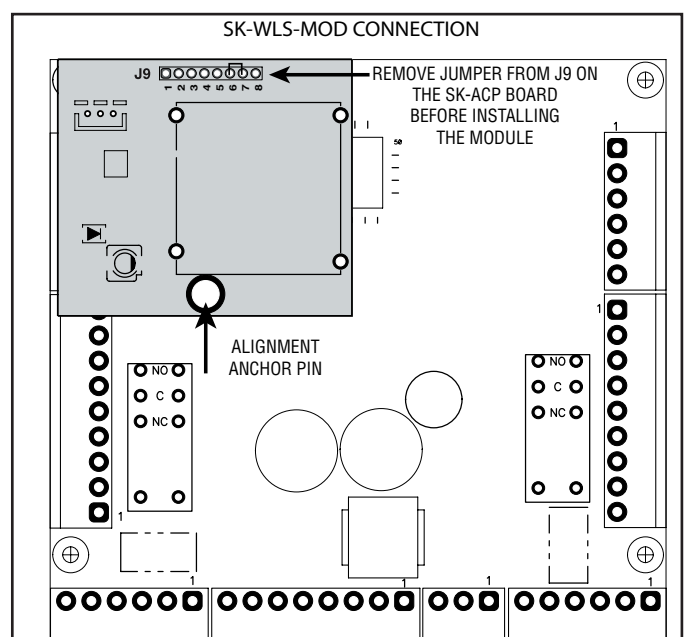
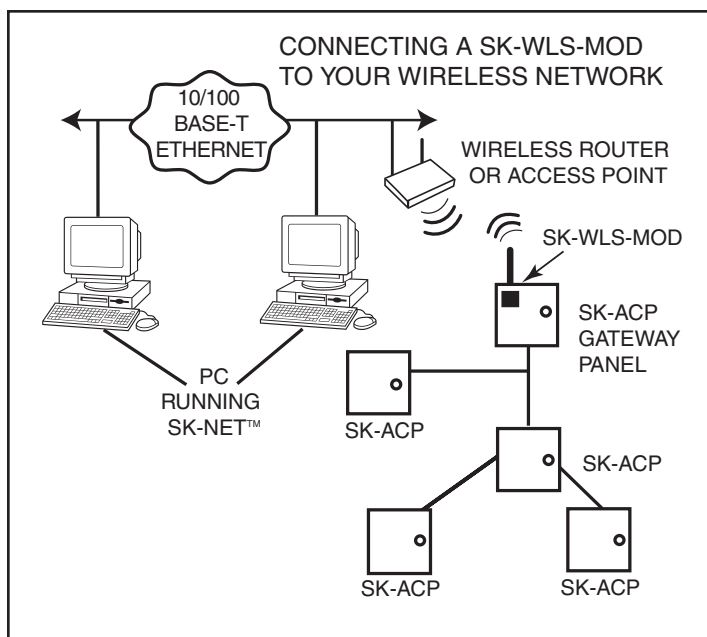


CONNECTING AN SK-ACP TO A LOCAL AREA NETWORK USING THE SK-WLS-MOD

The SK-WLS-MOD is an embedded wireless device server that provides a network-enabling solution based on the IEEE 802.11 b/g wireless standard-wireless security with IEEE 802.11i-PSK, WPQ-PSK, TKIP.

To install the unit, complete the following steps in order with the Power Turned Off.

1. Remove the SK-ACP board from the enclosure to prevent short circuiting the board.
2. Drill a .25 inch hole on the top of the box containing the SK-ACP (right above the module location) to mount the antenna. Clear all metal shavings from the enclosure and re-install the SK-ACP board.
3. Remove the 2 pin jumper from the J9 connector (pins 6 & 7) on the SK-ACP.
4. Plug the SK-WLS-MOD into J9 on the SK-ACP board. **The SK-ACP must be firmware version 2.43, Rev H or newer ONLY!**



Do Not Turn On the Power to the SK-ACP at this time

NOTE: The required input voltage to the SK-ACP is 12-30vdc @ 1 amp or 16 to 24vac @ 40VA (24vdc @ 1 amp is recommended). (See SK-ACP manual for power connections.)

Required Information

Before configuring the SK-WLS-MOD have the following available:

Hardware (MAC) address: This is on the product label in the format: 00-20-4A - _____ - _____ - _____

IP address:

The SK-WLS-MOD must have a unique IP address on your network. This address references the specific unit. By default, the unit is DHCP-enabled and automatically assigned an IP address on DHCP-enabled networks. If you are assigning a static IP address, the system administrator generally provides the IP address, subnet mask, gateway, and the SSID.

Note: The factory default IP address is 0.0.0.0 to enable DHCP, BOOTP and AutoIP. When the unit boots, it sends a DHCP broadcast to try and get an IP address. If it receives no reply from a DHCP server, the SK-WLS-MOD tries BOOTP. If the SK-WLS-MOD does not receive a response from BOOTP, it reverts to an AutoIP address.

IP Address: _____
Subnet Mask: _____
Gateway: _____
SSID: _____

(Continued)

Setup Procedure:

1. Without applying power to the SK-ACP, connect the SK-WLS-CBL cable to J1 located on the SK-WLS-MOD module. Connect the other end of the cable to an RS-232 (serial) port on a PC.
2. Launch 'HyperTerminal' on your computer. Set the baud rate to 9600, 8 data bits, 1 stop bit, no parity, and flow control to none, and then connect. (HyperTerminal is available on Windows® XP. It is not provided with Vista, but can be found on the internet and installed on Vista.)
3. Press and hold the 'x' key (lower case) on the PC keyboard *while you connect power* to the SK-ACP control board. When prompted, press the Enter key on the PC keyboard to gain access to the internal menu of the SK-WLS-MOD.

NOTE: You must press Enter within 10 seconds after the prompt is displayed or the SK-WLS-MOD will time-out. If this happens, remove power and repeat step 3.

4. Select 0 (server) from the menu:
Select 1 = wireless only
Enter IP address (provided by the IT department)
Set the gateway IP address (if required)
Netmask: number of bits (if required)
(Default the rest)
5. Select 2 (channel 2)
Set baud rate to 38400
IF mode to 4C
Flow (default)
Port number 10002 (default)
(Default the rest)
6. Select 4 (WLAN)
Topology 0 (infrastructure)
Network name SSID (enter wireless name)
(Default the rest)



20301 Nordhoff Street, Chatsworth, CA 91311
Phone: (818) 882-0020 • Fax: (818) 882-7052
TOLL-FREE: (800) 891-0020

Website: www.securakey.com • E-mail: mail@securakey.com