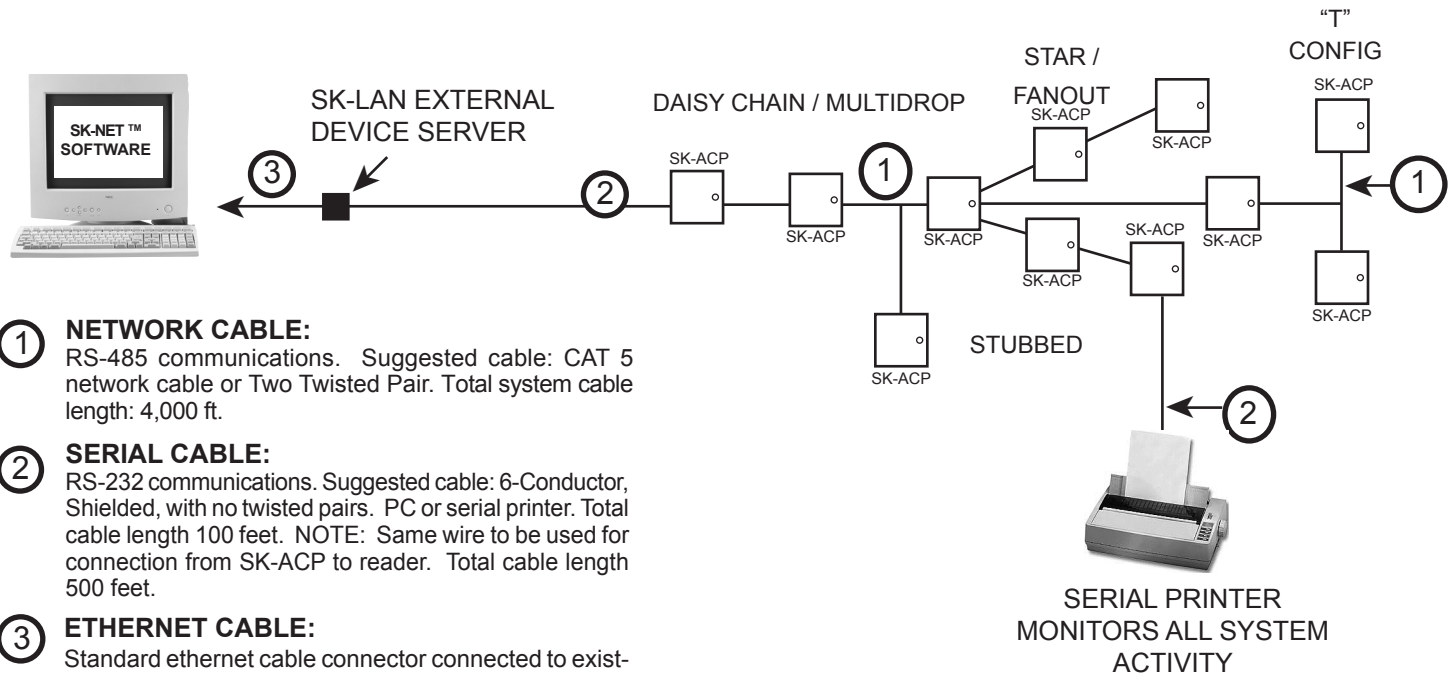






# MULTI-PANEL SYSTEM USING SK-NET™ SOFTWARE- SINGLE LOCATION WITH SK-LAN

NOTE: SK-NET-MLD software must be used when connecting the SK-LAN External Device Server.



- ① **NETWORK CABLE:**  
RS-485 communications. Suggested cable: CAT 5 network cable or Two Twisted Pair. Total system cable length: 4,000 ft.
- ② **SERIAL CABLE:**  
RS-232 communications. Suggested cable: 6-Conductor, Shielded, with no twisted pairs. PC or serial printer. Total cable length 100 feet. NOTE: Same wire to be used for connection from SK-ACP to reader. Total cable length 500 feet.
- ③ **ETHERNET CABLE:**  
Standard ethernet cable connector connected to existing LAN.

NOTE: Each SK-ACP above can support 2 Wiegand output card readers.

# SYSTEM EQUIPMENT COMPONENTS

## ACCESS CONTROL UNIT:

**SK-ACP:** Two Door Access Control Unit

## Radio Key® Low Frequency Proximity

### READERS:

RK-WM: Proximity Reader (2 readers per SK-ACP)  
RK-WS: Proximity Reader (2 readers per SK-ACP)  
RK-WL: Proximity Reader (2 readers per SK-ACP)

### CARDS/TAGS:

RKCM-02-2 Molded Proximity Cards  
RKKT-02-2 Key Tags  
RKCI-02-2 ISO Proximity Cards

## E\*Tag® High Frequency Proximity:

### READERS:

ET4-WXM: 13.56 MHz ISO 15693, Mullion  
ET4-WXS: 13.56 MHz ISO 15693, Switchplate  
ET8-RO-W-D: 13.56 MHz ISO 15693, Switchplate  
ET8-RO-W-M: 13.56 MHz ISO 15693, Mullion

### CARDS/TAGS:

ETCI04-1- ISO Card- 26/32 bit encoding  
ETCI04-4- ISO Card- 26/32 bit encoding, Mag-Stripe  
ETST03-1-Key Tag Trapezoidal - 26/32 bit encoding  
ETKT03-1 Key Tag, Rounded End, 26/32 bit encoding

MINIMUM REQUIREMENTS*			
OPERATING SYSTEM	PROCESSOR SPEED	RAM	AVAILABLE DISK SPACE
WINDOWS® XP (32 bit)	1 GHz	1 GB	1 GB
WINDOWS® VISTA (32 bit)	1 GHz	1 GB	1 GB
* For larger installation more disk space may be required.			
RECOMMENDED SYSTEM			
WINDOWS® XP	2 GHz	2 GB	10 GB
WINDOWS® VISTA	2 GHz	2 GB	10 GB
If using Vista, Aero-capable discrete graphics card with 128 MB Graphics Memory.			
SERVER REQUIREMENT**			
WINDOWS® 2000 OR GREATER	2 GHz	1 GB	1 GB
** For SK-NET-MLD-C/S version, a server is required.			

## PC REQUIREMENTS: See Table

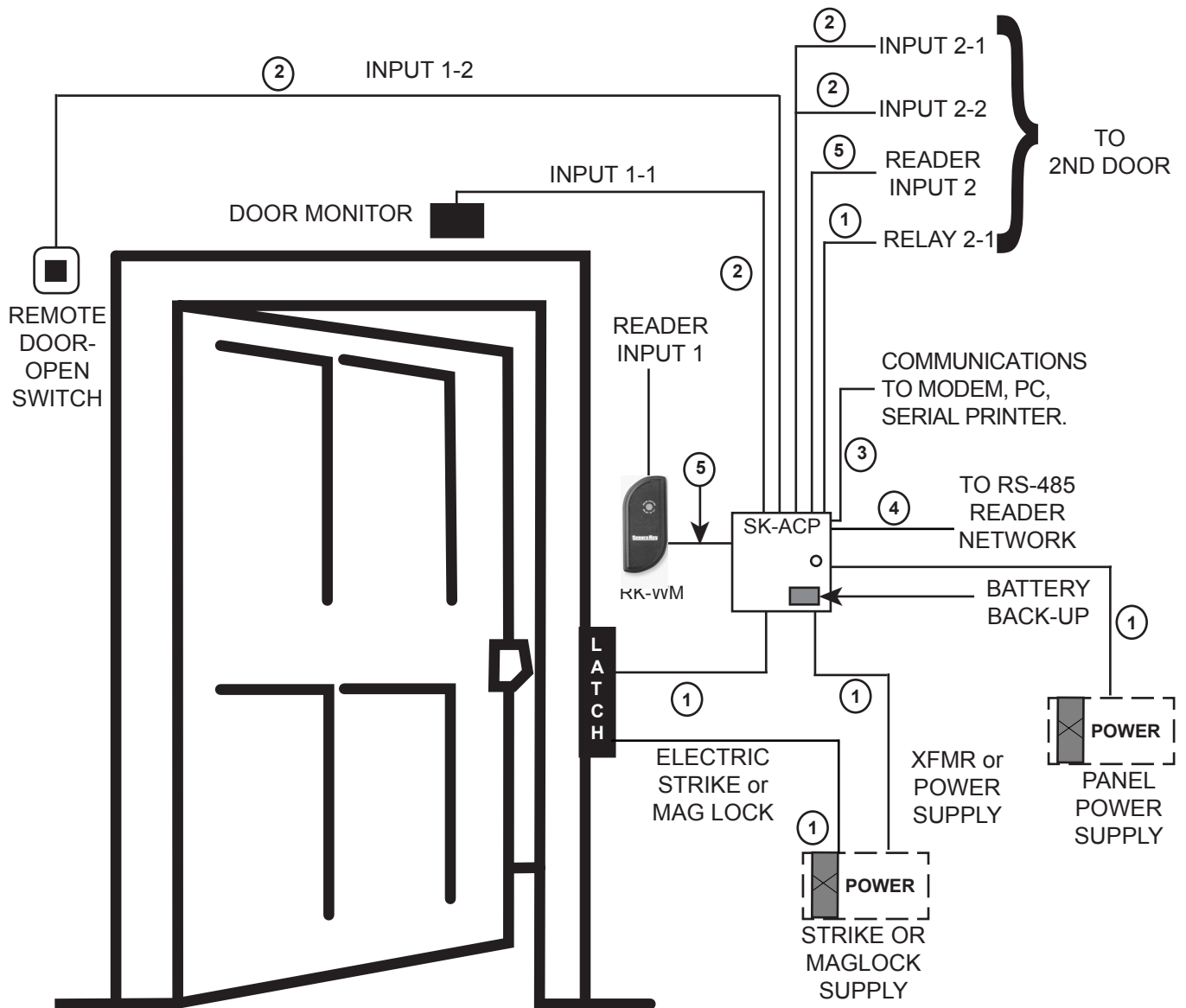
### SOFTWARE:

SK-NET™- DM — Basic Software - CD-ROM and manual  
SK-NET™ -MLD — Multi-Location Software with CD-ROM and manual  
SK-NET-MLD - CSXX (XX= 2,5,10 or 15 workstations) with Client Server License

## ACCESSORIES

NET-CONV-P — RS-232 to RS-485 Converter with Power Supply (12 VDC@100mA)  
one required per system (unless using a gateway connection)  
SK-QUICKCONN — Cable & Connector - For Bench Testing or field connection with a laptop  
SK-MDM — Modem - 56K Baud External Modem  
for dial-up connection to any SK-ACP  
SK-LAN — TCP/IP External Device Server w/ Power Supply

# SECURA KEY SK-ACP Typical Door Installation



**CABLE TYPES:**

- ① 2 COND, UNSHIELDED 16-18 AWG
- ② 2 COND, UNSHIELDED 18-24 AWG
- ③ 6 COND, SHIELDED 18-24 AWG
- ④ RS-485 - CAT 5 NETWORK CABLE OR TWO TWISTED PAIR
- ⑤ 6 CONDUCTOR SHIELDED, WITH NO TWISTED PAIRS

**Secura Key**  
A Division of SOUNDCRAFT Inc.

20301 NORDHOFF STREET  
CHATSORTH, CA 91311  
PHONE (818) 882-0020 • FAX (818) 882-7052  
TOLL FREE (800) 891-0020  
E-mail: mail@securakey.com  
Web site: www.securakey.com