

# e\*Tag® - ET8 Access Control Readers



**ET8-RO-W-D**

## Contactless Smartcard Readers

e\*Tag® ET8 readers combine leading edge contactless smart card technology with architectural design, easy installation, and simplicity of use. The ET8 reader is compatible with existing e\*Tag® readers and cards.

ET8 is available in a weatherproof mullion-mount style, which can be used on standard mullions or doorframes, or in the Decorator style, which is designed for indoor use, fits standard single gang electrical boxes and uses the popular Decora® cover plate.

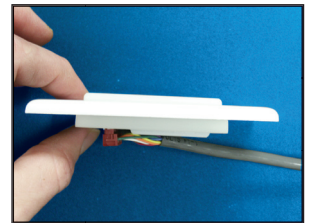
Like all e\*Tag® readers, the ET8 reader uses 13.56 MHz technology and works with Secura Key encoded cards and key tags that meet the ISO 15693 international standard. Secura Key uses enhanced DES encryption which makes e\*Tag® cards virtually impossible to counterfeit. Cards are available with custom, 4-color graphics and are ready for dye-sublimation photo ID printing. Unique "Personalized Stock" cards and compact and colorful key tags are also available. e\*Tag® credentials have additional



**ET8-RO-W-M**

memory that can be used for applications such as time-and-attendance, electronic purse and membership/loyalty programs.

e\*Tag® ET8 readers have a SIA standard Wiegand output, so they are compatible with the Secura Key SK-ACP-LE and with controllers by most other manufacturers. Standard wire colors and functions allow easy upgrade of existing Wiegand or proximity readers. A convenient wiring harness can be installed during "rough-in" and the reader can simply be plugged in when the job is finished.



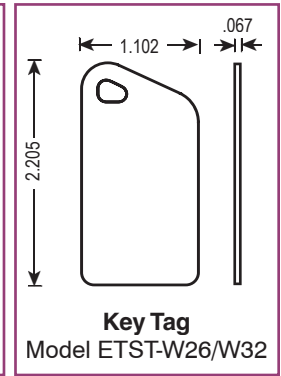
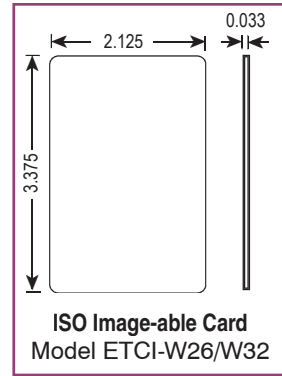
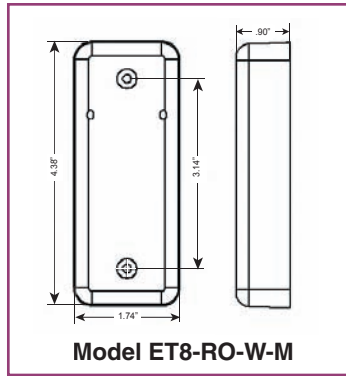
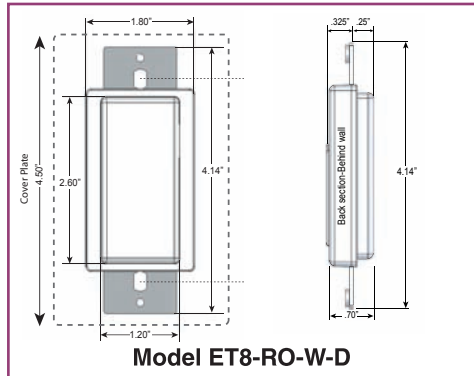
\*Decora® is a registered trademark of Leviton, Inc.

### FEATURES:

- Compact Design
- 13.56 MHz Contactless Smart Cards
- 4" Read Range
- Multi-Color LED & Buzzer
- Wiegand Output, Compatible With Most Access Control Systems

# e\*Tag® - ET8 SPECIFICATIONS

All dimensions in drawings are indicated in inches.



## PHYSICAL

Type	Reader (w/Cover Plate)	Mullion Reader	ISO Image-able Card	Key Tag
Model	ET8-RO-W-D	ET8-RO-W-M	ETCI-W26/W32	ETST-W26/W32
Depth	0.70" (1.78 cm)	0.90" (2.28 cm)	0.033" 0.08 cm	.067" (0.17 cm)
Width	2.75" (6.99 cm)	1.74" (4.19 cm)	2.125" (5.40 cm)	1.102" (2.80 cm)
Height	4.50" (11.43 cm)	4.38" (11.12 cm)	3.375" (8.57 cm)	2.205" (5.60 cm)
Weight	1.90 oz. (53.86 gm)	3.42 oz. (97.09 gm)	0.20 oz (5.67 gm)	.008 oz (0.23 gm)
Material	ABS UL94	ABS UL94	PVC	PVC
Color	Ivory or White	Black	White	Black

## POWER REQUIREMENTS

5-14 VDC; Idle: 30 mA, When reading card: 65mA

## INPUTS AND OUTPUTS

Wiegand Data 1	
Wiegand Data 0	
Red-LED	Ground to Activate
Green-LED	Ground to Activate
Buzzer Control	Ground to Activate
Hold Line	Ground to Activate
Cable Required	6-8 conductor; depending upon options used; 18-22 AWG, shielded; up to 500 ft.

Wire Color	ET8-RO-W-D/M
GREEN	Wiegand Data 0
WHITE	Wiegand Data 1
VIOLET	N/A
GRAY	N/A
ORANGE	Green LED
BROWN	Red LED
YELLOW	Buzzer
BLUE	Hold Line
RED	5-14VDC +
BLACK	DC Ground

## ENVIRONMENT

Temperature	-40° to +158 °F (-40° to +70°C)
Humidity	0 to 90% Non-Condensing

## OPERATIONAL

Operating Frequency	13.56 MHz (ISO 15693 Compliant)
Reading Distance	ISO Card Up to 4" (10.16 cm); Less with Keytag - 2.5" (6.35 cm)
Card/Tag Operation	Passive

## CARDS AND TAGS

Encoded Transponders with DES encrypted card number and facility code, 26-bit or 32-bit Wiegand, standard. Other Wiegand formats available on request.

This product complies with UL 294 Standards, with Part 15, Class B FCC Rules and CE European Standards.



RoHS

## WARRANTY (U.S. and Canadian)

"This product is warranted against defects in materials and workmanship for life. Secura Key shall, at its option, either replace or repair this product, if returned to us freight prepaid within the warranty period. This warranty does not include freight, taxes, duties, or installation expenses. THE WARRANTY SET FORTH ABOVE IS EXCLUSIVE AND NO OTHER WARRANTY, WHETHER WRITTEN OR ORAL, IS EXPRESSED OR IMPLIED. SECURA KEY SPECIFICALLY DISCLAIMS ANY IMPLIED WARRANTIES OR MERCHANTABILITY AND FITNESS FOR A PARTICULAR PURPOSE. The remedies provided herein are the buyers' sole and exclusive remedies. In no event shall Secura Key be liable for direct, indirect, special, incidental or consequential damages (including loss of profits), whether based on contract, tort or any other legal theory." Contact Secura Key for Card/Tag and Export Warranty Policies.

## DISTRIBUTED BY:



20301 Nordhoff Street, Chatsworth, CA 91311  
PHONE (818) 882-0020 • FAX (818) 882-7052  
TOLL-FREE (800) 891-0020

www.securakey.com  
mail@securakey.com